



ASSA ABLOY
Global Solutions



VingCard Essence

with Lockwood Brass Levers



INSPIRATION STARTS AT THE FRONT DOOR

Inviting solutions that inspire luxury.



DELIVERING THE HOTEL EXPERIENCE UPON ENTRY.

VingCard Essence revolutionizes the electronic lock industry by housing all lock components, including the reader and mobile access board, inside the door and therefore, reaching the maximum minimalistic expression, the true essence of an electronic lock.

VingCard Essence is always delivered as Mobile Access ready. With Mobile Access board included inside the reader, your property is ready for using the mobile phone as guest room key whenever required.

MEMORABLE ROOMS INCITE AN EXPERIENCE

*Designs that create features, a connection
and a memory.*



THE VALUE OF DESIGN IS IN THE DETAILS.

BENEFITS:

- Ideal for: New Construction
- Mobile Access compatible
- RF Online capability (wireless)
- Minimalistic design with electronics placed inside the door
- RFID reader with improved reading distance
- Provides a wide range of design options for handles

MARCK

ALLURING A SENSE OF DISTINCTION

Delivering more than design, a statement and a point of conversation.



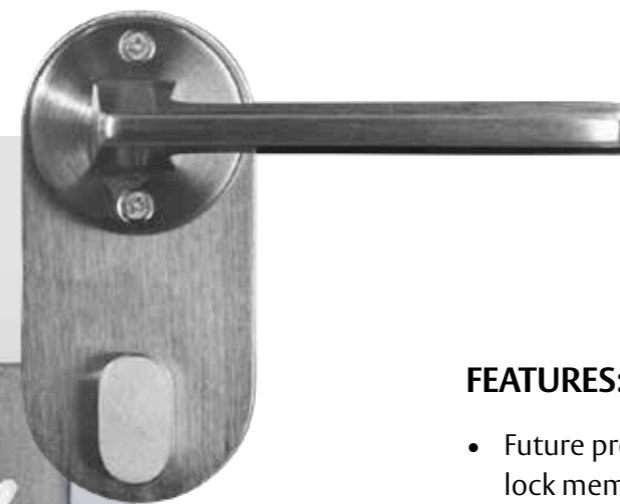
FEATURES:

- Brass handles with self-lubricating long life bearings.
- 3-point steel latch construction with an antifriction mechanism.
- Case hardened full 1-inch (ANSI) throw deadbolt.
- Panic release function – the deadbolt and latch are automatically retracted by inside handle for easy egress in emergency situations.
- ADA compliant (users with physical disabilities).

SB

A SENSE OF QUALITY

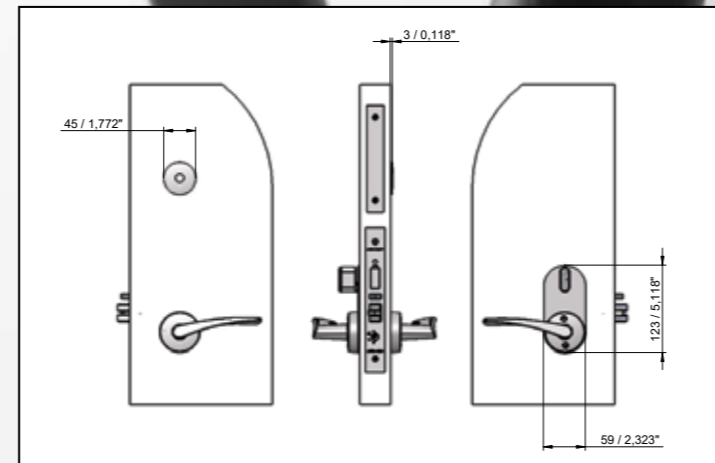
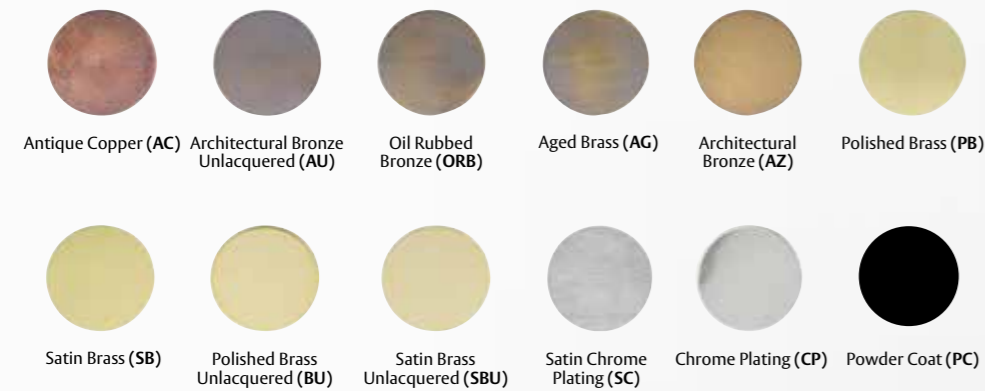
Quality by design in style and in function.



FEATURES:

- Future proof re-programmable FLASH lock memory.
- Powered by three (3) AA batteries that provide up to 2 years normal life (depending on door traffic and online/mobile access functionality).
- 3000 events in offline mode (Vostio and Visionline version 1.24 and above) and unlimited number of events in online mode.
- Optional high security mechanical override (key cylinder).
- Mobile Access (BLE*) functionality included in reader.
- RFID Specifications:- 13,56MHz technology - compatible with the following standards:
 - ISO 14443 A (MIFARE including Desfire)
 - ISO 14443 B
 - ISO 15693

AVAILABLE WITH ALL LOCKWOOD BRASSCORE LEVER RANGE AND DECORATIVE FINISHES.



MAINTAIN CONSISTENT STYLING ON ALL BACK OF HOUSE DOORS.

Match your Vingcard Essence to any Lockwood door handle range below. Available with all Lockwood brass lever styles and decorative finishes.



Lockwood 1220 Series



Lockwood 1420 Series



Lockwood 1370 Series



Lockwood 1360 Series



Lockwood 1800 Series



Lockwood 2800 Series



ASSA ABLOY
Global Solutions

For more information on the range visit www.lockweb.com.au

ASSA ABLOY Australia Pty Limited ABN 90 086 451 907 ©2020_MC11372

*Whilst every effort is made to ensure the product information and representation of images is accurate at the time of publication, ASSA ABLOY Opening Solutions Australia reserves the right to make changes without notice.